

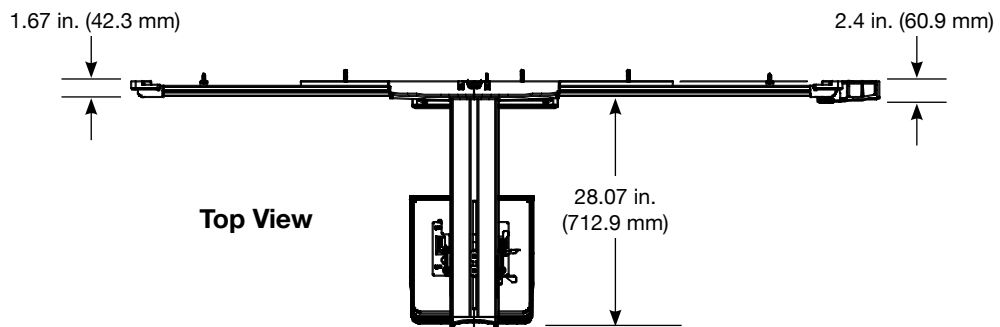
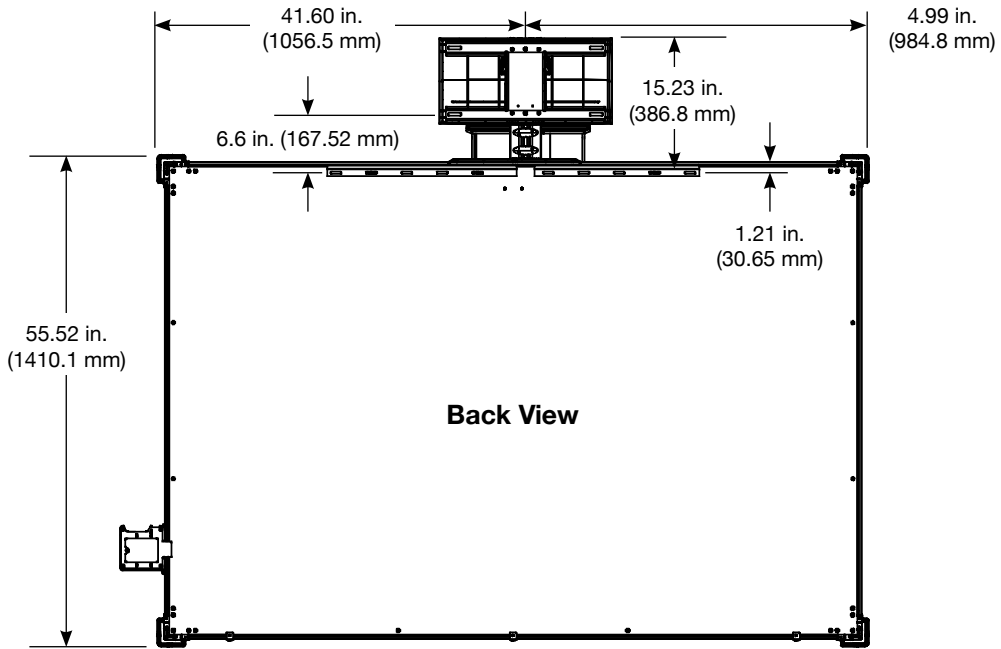
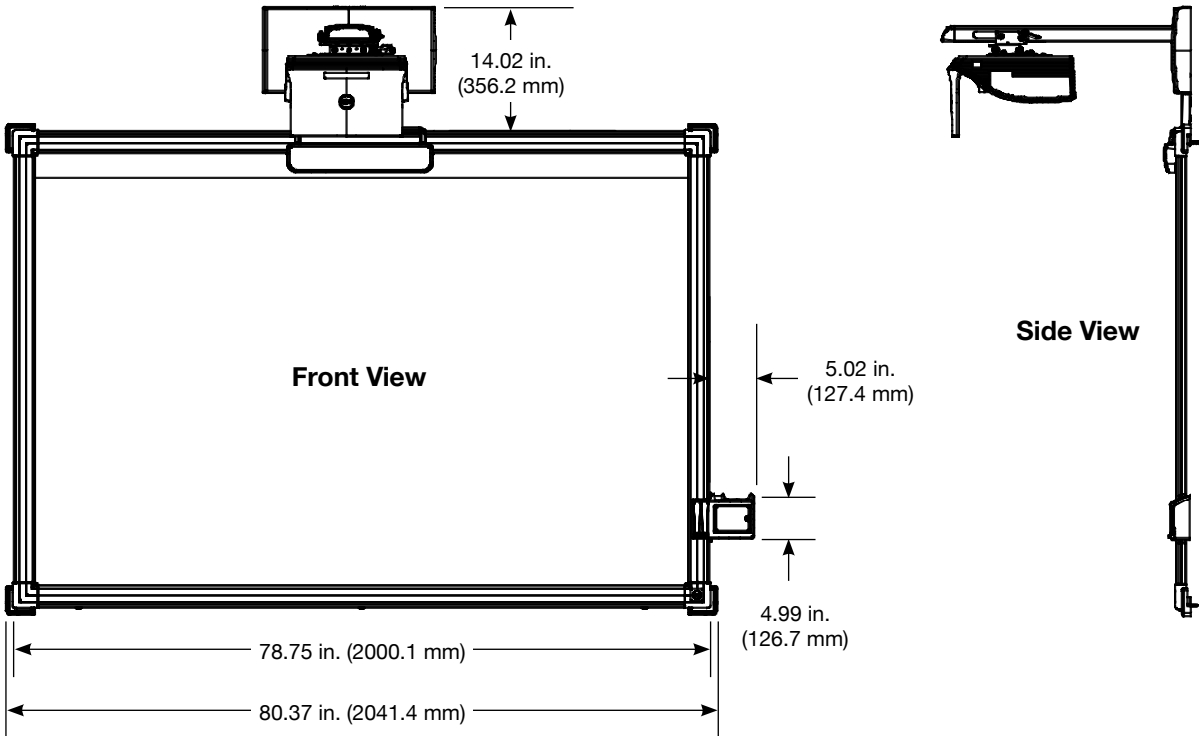
Dell Interactive Projector S520 Screen/Whiteboard
PTDRV



Important Safety Instructions

- ▲ **WARNING:** Failure to read, thoroughly understand, and follow all instructions can result in serious personal injury, damage to equipment, or voiding of factory warranty! It is the installer's responsibility to make sure all components are properly assembled and installed using the instructions provided.
- ▲ **WARNING:** Failure to provide adequate structural strength for this component can result in serious personal injury or damage to equipment! It is the installer's responsibility to make sure the structure to which this component is attached can support five times the combined weight of all equipment. Reinforce the structure as required before installing the component. The wall to which the screen/whiteboard is being attached may have a maximum drywall thickness of 5/8" (1.6cm) for wood stud installation, and 1/2" (1.3cm) minimum for steel stud installation.
- ▲ **WARNING:** Use this screen/whiteboard system only for its intended use as described in these instructions. Do not use attachments not recommended by the manufacturer.
- ▲ **WARNING:** Do not use this product outdoors.

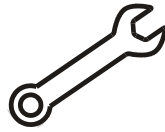
Product Dimensions



Tools Required for Installation



1/8 in. (wood)
 1/2 in. (drywall)
 8 mm (concrete)
 6 mm (concrete – AF6 toggler)



7/16" Wrench



#2 Phillips Screwdriver



Carpenter's Level



Ruler

Parts

Included Installation Hardware



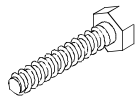
1/4" Washer (3)



#8 x 1" Screws (7)



#8 x 3/4" Screws (1)



1/4" x 1-1/2"
 Lag Screw (3)



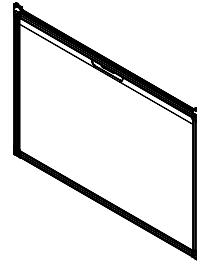
#8-10 Wall
 Anchor (7)



#8 X 1/2" Screws (5)



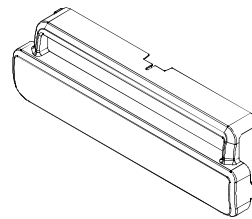
Screen Bracket (3)



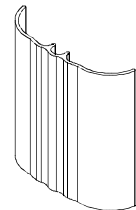
Screen (1)



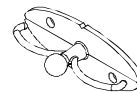
Wall Bracket (1)



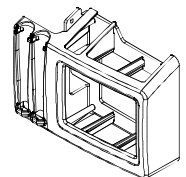
Sensor Cover (1)



Cable Cover (1)



Cable Cover
 Clips (2)



Marker Tray (1)



Cleaning Cloth (1)

Installation

1. Determine desired height of image (measured from floor) (Figure 1).
2. Determine desired center of image area (Figure 1).
3. Measure 4-1/16" up from desired height (top) of image and 4" to the right of center of screen and mark location (Figure 1).
4. Determine location of studs behind drywall.
5. Drill one pilot hole into a wall stud at location marked in Step 3 (Figure 1).

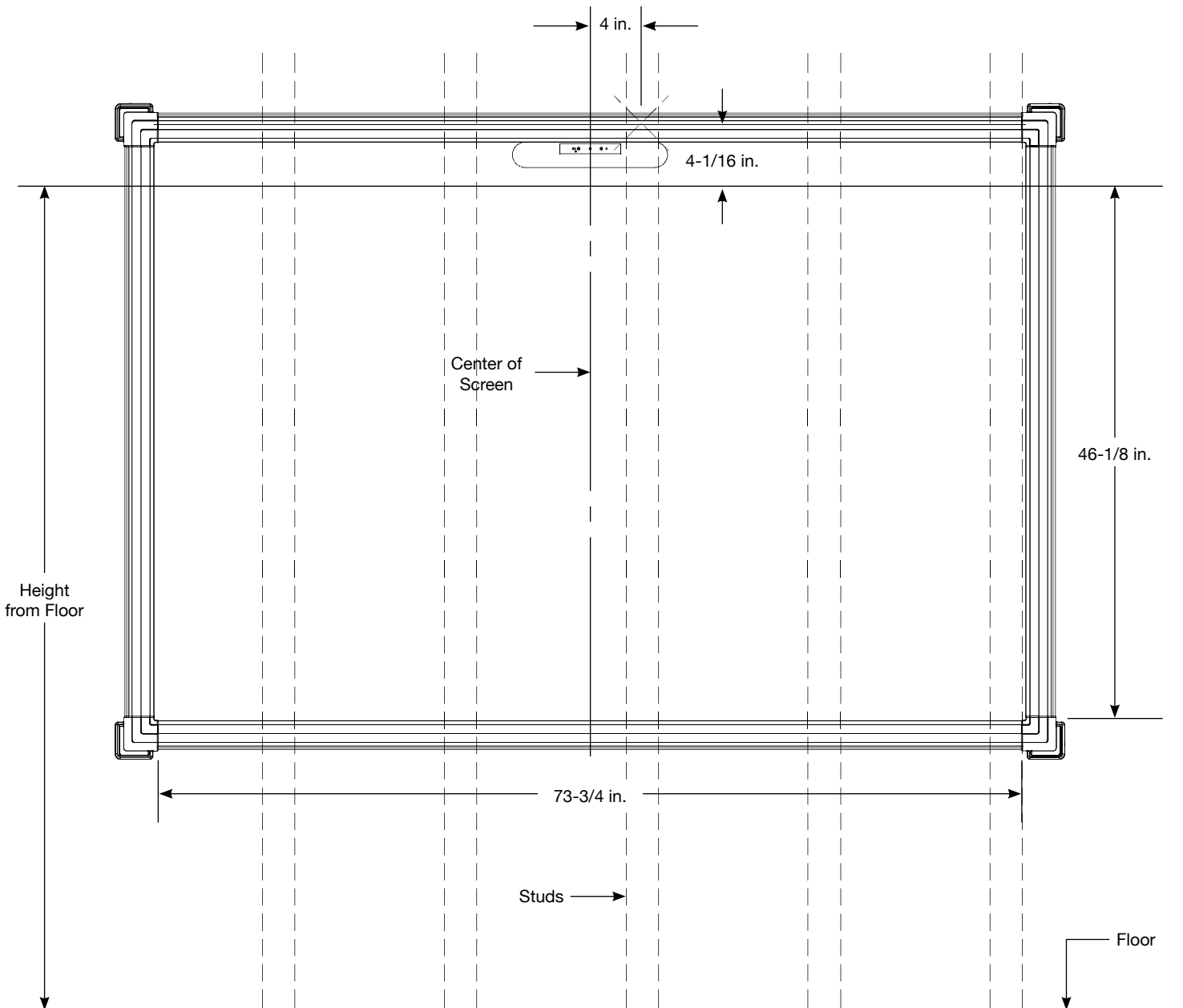


Figure 1

Installation (continued)

6. Install (1) 1/4" x 1-1/2" bolt and (1) washer through middle of bracket into previously drilled hole, leaving 1/2" of the bolt extending from wall. Use carpenter's level to make sure bracket is properly level (Figure 2).
7. Position level on top of wall bracket. Move bracket until level. Drill (2) holes for the other bolts in wall studs.
8. Install the other (2) 1/4" x 1-1/2" bolts and (2) 1/4" washers in the previously drilled holes. Tighten all bolts against wall bracket.
9. Measure down 52-1/4" on center and mark spot. Move right and left of screen until wall studs are found and mark (Figure 3).
10. Install the (3) screen brackets using:
Wood or steel studs: (3) supplied #8 x 1" screws.
Concrete wall or no studs: (3) supplied #8-10 wall anchors and (3) supplied #8 x 1" screws.
11. Install projector mount. Refer to the S520 Dual Stud Wall Mount (MSP-DCCUST2) manual. Do not install the (2) plastic covers for mount (Figure 4).
12. Run cables for projector up through hole in wall bracket and cover to projector location (Figure 5).

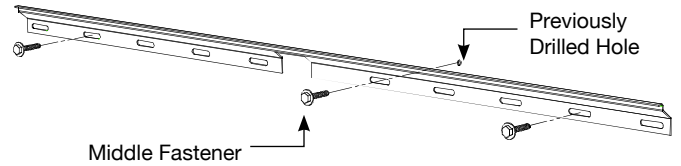


Figure 2

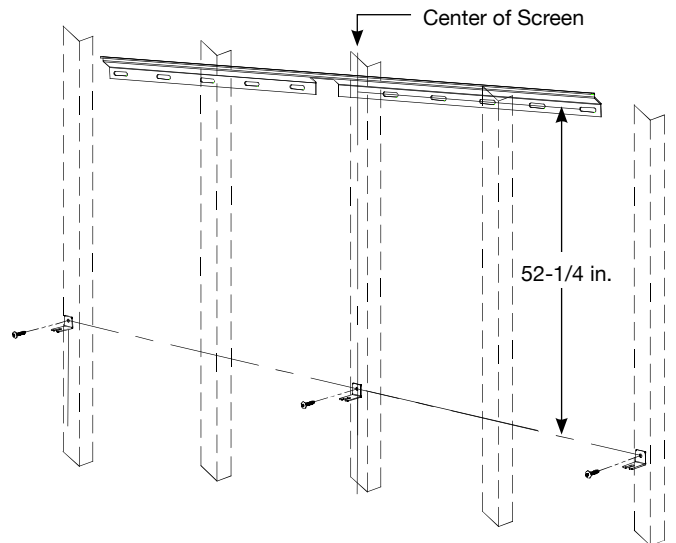


Figure 3

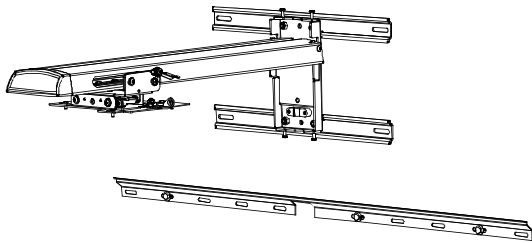


Figure 4

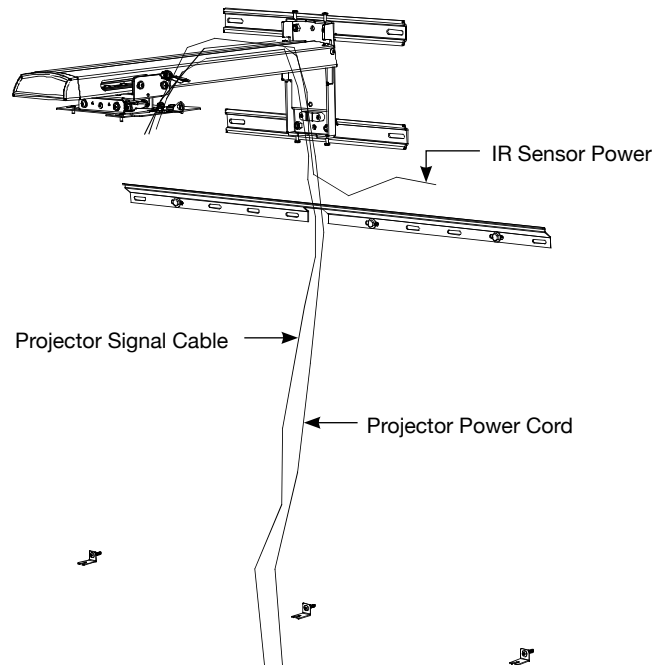


Figure 5

13. Mount screen onto wall bracket by hooking into the back groove of the screen frame (Figure 6).
14. Secure bottom of screen to wall using (3) of the supplied #8 x 1/2" screws through bottom brackets into the lower channel of the screen frame (Figure 7).

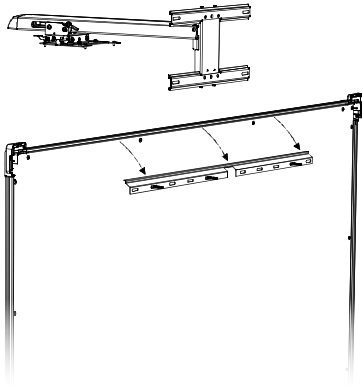


Figure 6

15. Secure marker tray to right side of screen frame at desired height by using (2) of the supplied #8 x 1/2" screws into the side channel of the screen frame (Figure 8).
16. Secure IR sensor bar (packaged with the S520 Projector) to screen by sliding it onto the metal bracket. Insert safety screw through IR sensor bar into bracket (Figure 9).

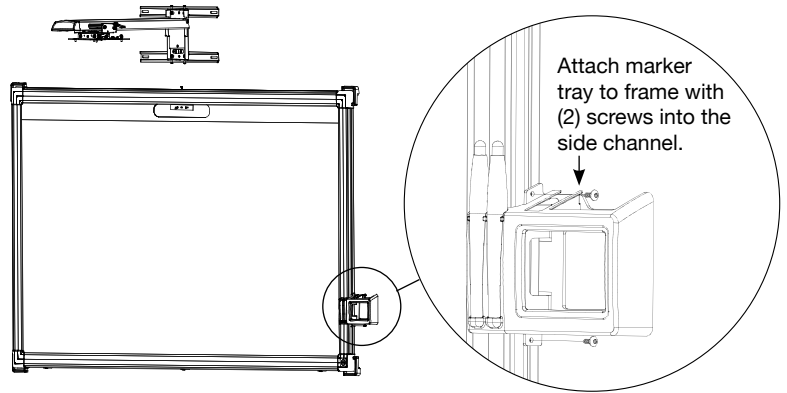


Figure 8

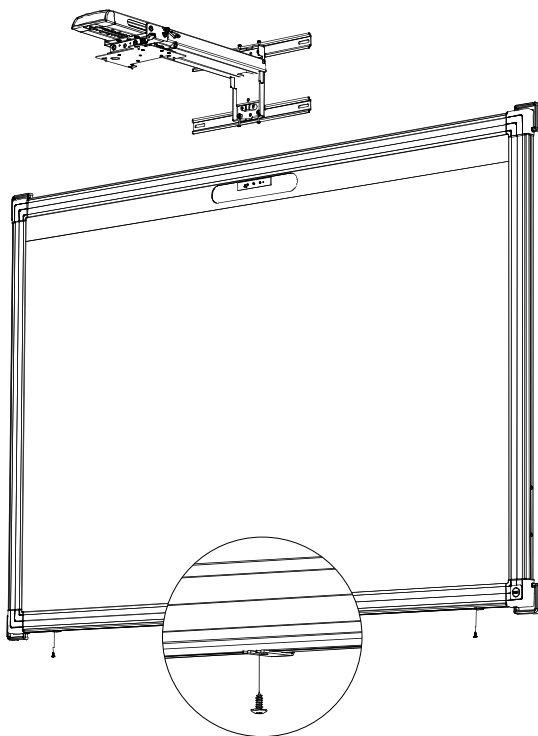


Figure 7

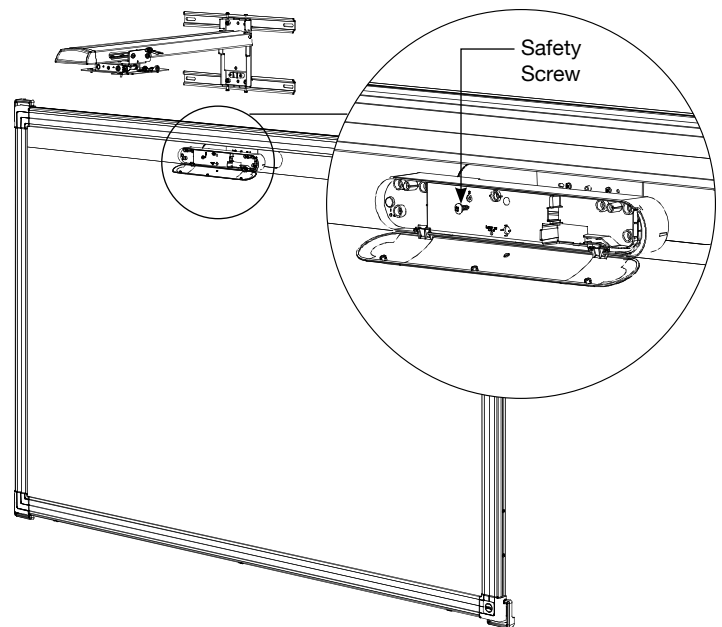


Figure 9

Installation (continued)

17. Attach sensor cover by snapping clips over screen frame. Secure to frame by screwing down into the upper channel of the screen frame with supplied #8 x 3/4" screw (Figure 10).

18. In between the projector mount and the IR sensor cover, cable clips will be mounted to the wall for cable management. Attach clips to the wall using:

Wood studs: (4) supplied #8 x 1" screws.

Concrete wall or no studs: (4) supplied #8-10 wall anchors and (4) supplied #8 x 1" screws.

When secure, route cables and cords behind the two cable cover clips. Attach cable cover to the cable clips (Figure 11).

19. Install projector mount covers and projector. Refer to the S520 Dual Stud Wall Mount (MSP-DCCUST1) manual.

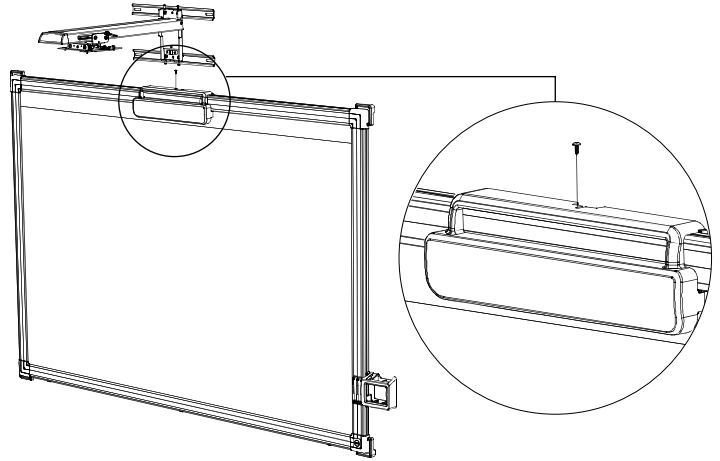


Figure 10

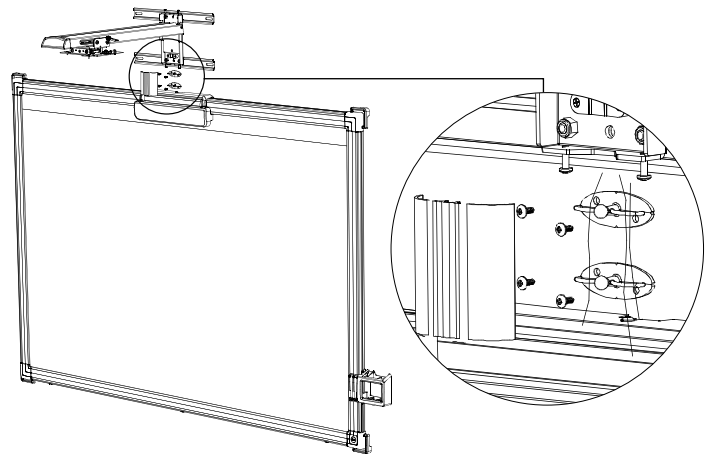


Figure 11

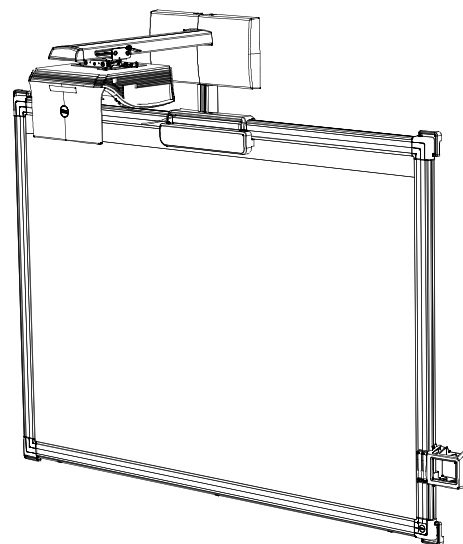


Figure 12

Recommended Screen/Whiteboard Markers

This Dell S520 Screen/Whiteboard is a dual-purpose projection screen and whiteboard. The surface of the screen/whiteboard can be used with dry erase markers from a wide variety of manufacturers and brands. Do not use permanent markers with this product.

Recommended Screen/Whiteboard Cleaning

The supplied cleaning cloth can be used to clean marks on the Dell S520 Screen/Whiteboard surface made by everyday dry erase marker usage. To clean persistent marks from dry erase markers, only use a standard dry erase marker cleaning solution and the cleaning cloth. To clean permanent marks and other unintentional marks on the surface, use a non-abrasive or non-scouring spray cleaning solution with the cleaning cloth or a melamine foam cleaning pad.

CW88R Rev. A00
24695 Rev00

